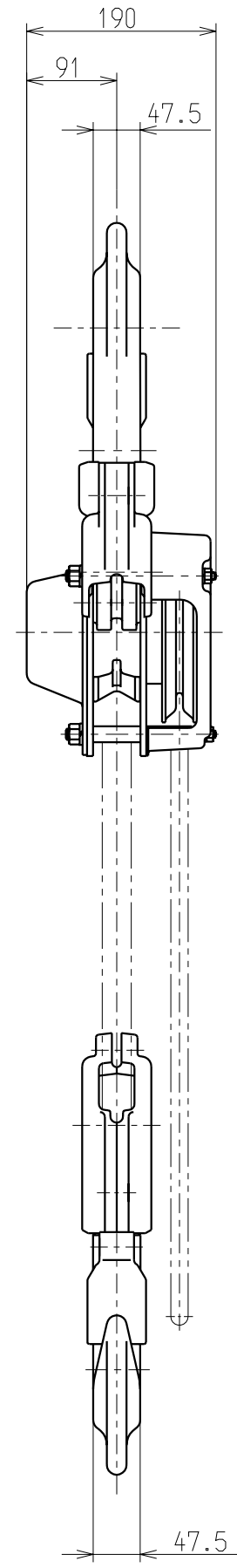
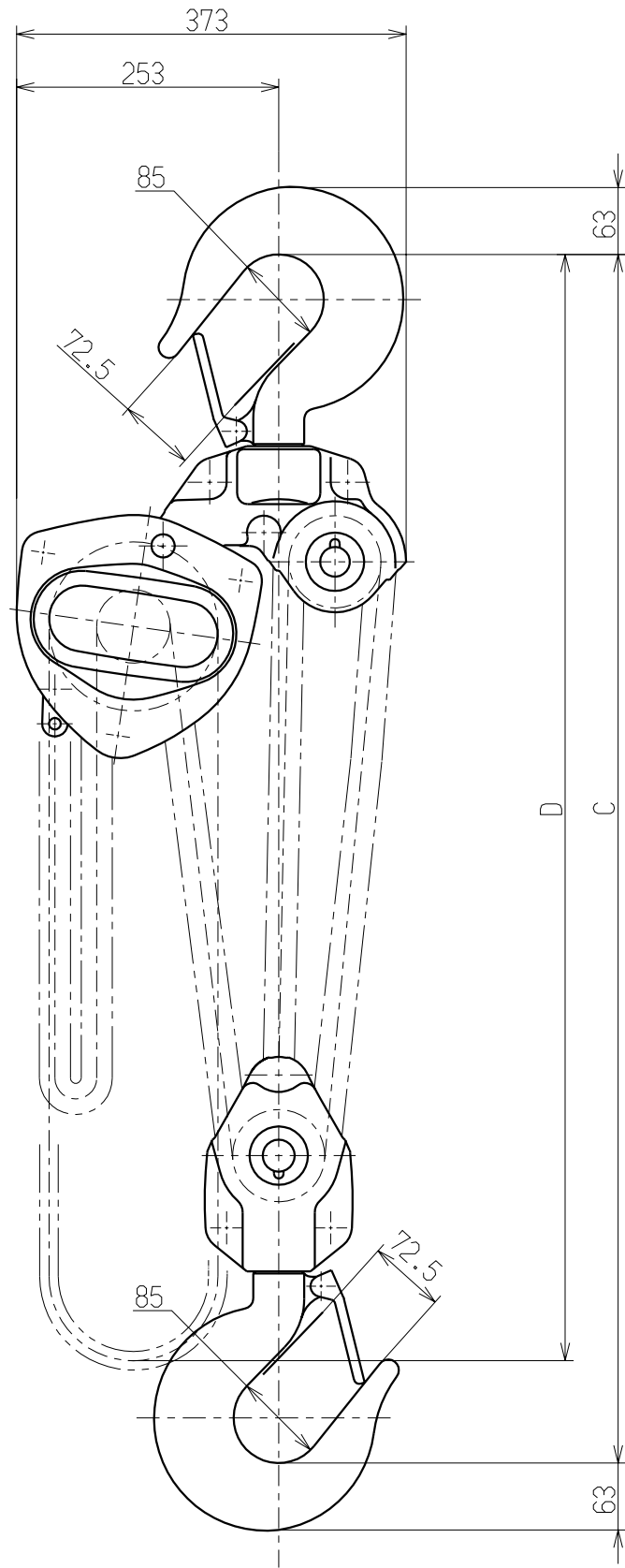


1 2 3 4 5 6 7 8 9 10

A
B
C
D
E
F



Specifications	
Working load limit	7 1/2 T
Std. lift	3.5 m
Min. headroom :C	770 mm
Chain pull to lift full load	343 N (35 kgf)
Hand chain Length from top hook :D	4.2 m
Load chain size	9 x 27 mm
Mass	63 kg

Note:

CB SERIES 7.5 t
MANUAL CHAIN HOIST

APPROVED	CHECKED	DESIGNED
FUKASAWA 2001.10.31	OKUYAMA 2001.10.31	NAITO 2001.10.31

CODE	CB075	SCALE	
DWG.NO.	C3BA075-12100	DATE	

KITO CORP.

UNIT : mm