

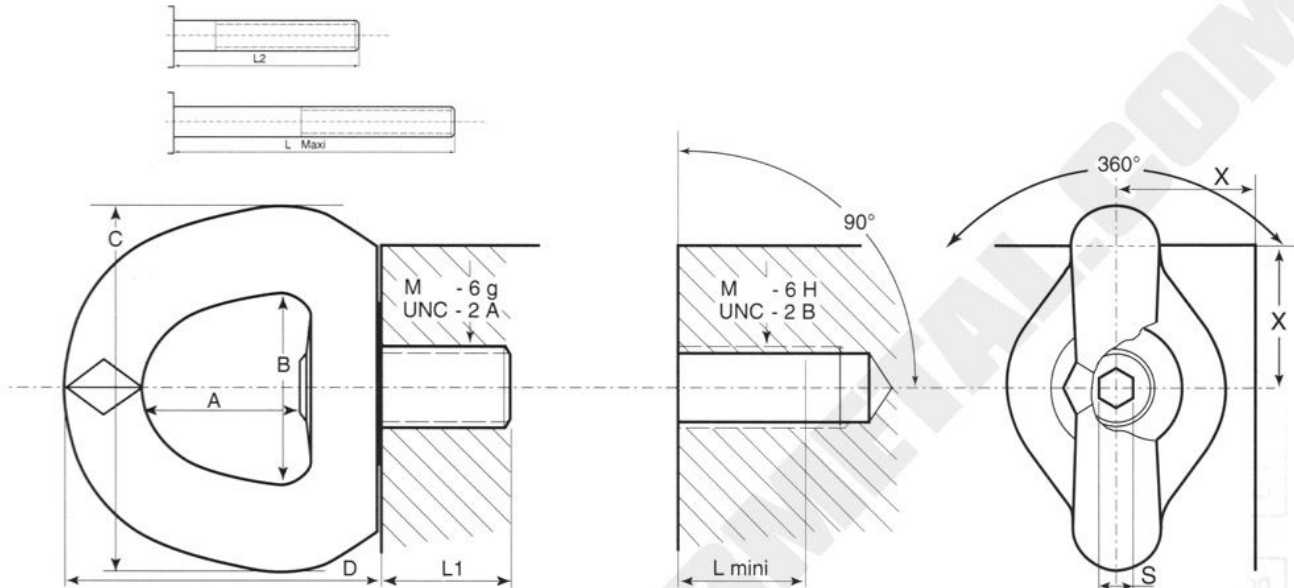


SWIVEL EYE BOLT

Patents filed / Brevets déposés / Geschütztes Warenzeichen / Patente registrada

HIGH TENSILE - HAUTE RESISTANCE
HOCHFEST - ALTA RESISTENCIA

Class > 8



| Reference Référence Referenz Referencia | W L L C M U Höchstbelastung C M U | Safety factor Coef. sécurité Sicherheitsfaktor Coef. seguridad | N° Chain Chaîne Ketten Cad. | Diameter Diamètre Durchmesser Diámetro | Ø | P | Standard L1 | L2 * | L Maxi * | N.m. Foot LBS | | S | A | B | C | D | Weight Poids Gew. Peso Kg |
|--|--|---|---|---|---|---|----------------|---------|-------------|------------------|----|----|----|----|-----|-----|---------------------------------------|
| SEB M 16 | 1,6 TO | 5 | 7 | M 16 (x2) | | | 27 | 100/90 | 170/100 | 50 | 35 | 8 | 38 | 45 | 90 | 78 | 0,80 |
| SEB M 20 | 2,5 TO | 5 | 9 | M 20 (x2,5) | | | 30 | 100/90 | 170/100 | 100 | 35 | 8 | 38 | 45 | 90 | 78 | 0,83 |
| SEB M 24 | 4 TO | 5 | 11 | M 24 (x3) | | | 36 | 100/80 | 170/100 | 160 | 50 | 14 | 58 | 70 | 134 | 115 | 2,53 |
| SEB M 30 | 6,3 TO | 5 | 14 | M 30 (x3,5) | | | 45 | 100/80 | 170/100 | 250 | 50 | 14 | 58 | 70 | 134 | 115 | 2,62 |
| SEB M 36 | 10 TO | 5 | 18 | M 36 (x4) | | | 54 | 130/100 | 200/100 | 320 | 70 | 14 | 88 | 94 | 190 | 166 | 8,00 |
| SEB M 42 | 12,5 TO | 5 | 20 | M 42 (x4,5) | | | 63 | 130/100 | 200/100 | 400 | 70 | 14 | 88 | 94 | 190 | 166 | 8,10 |
| | | | | | | | | | | | | | | | | | |
| | | | | | | | | | | | | | | | | | |
| | | | | | | | | | | | | | | | | | |
| | | | | | | | | | | | | | | | | | |
| | | | | | | | | | | | | | | | | | |
| | | | | | | | | | | | | | | | | | |
| | | | | | | | | | | | | | | | | | |
| | | | | | | | | | | | | | | | | | |
| | | | | | | | | | | | | | | | | | |
| | | | | | | | | | | | | | | | | | |

* no/non/nicht/no standard

Others variants of the fixing axis on request / Autres variantes de l'axe de fixation sur demande / Andere Varianten des Verbindungsbolzens auf Anfrage / Ostras variantes de ejes de fijación bajo solicitud